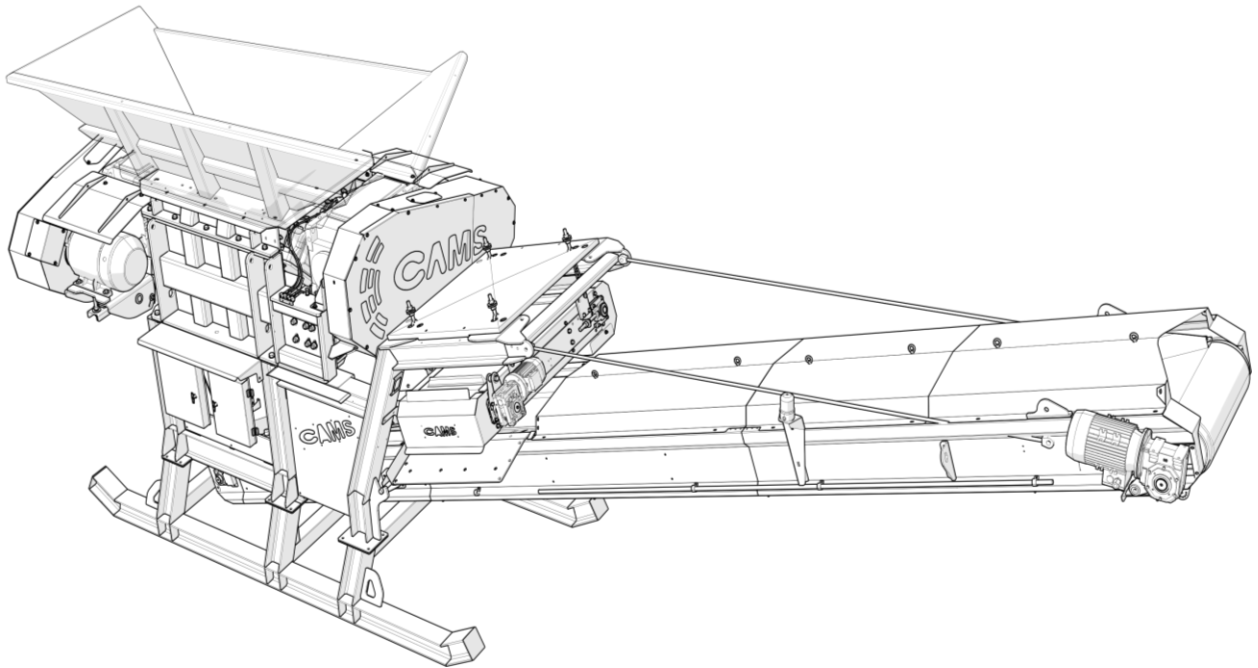


Technical Specification UTS 1500



ADVANTAGES

High capacity up to 180 t/h

Low air pollution

Low noise pollution

No vibrations

Low wear costs and maintenance

Changing all the cutting tools on the shafts only takes a few hours.

Hydraulic setting adjustment

All specifications subject to change without prior notice.



CAMS s.r.l.

**VIA Giulio Golini, 301 40024- Castel San Pietro Terme (BO)- Tel. 0516946611
Cod. Fisc. e Part. IVA 02146431206- R.E.A. n° 416377- Cap. Soc. 93.000 euro Int. Vers.**

FEATURES

Shredder

- Type of Shredder FTR1500
- Feed opening mm 1.500x900
- Max feed size mm 700x500x400
- Electric motor kW 44 (22+22)
- Rotors speed rpm 10
- Max Capacity t/h 180
- Weight Kg 9.800
- V belts and pulleys
- Chuteworks

Feeding Hopper

- Capacity : m³ 3,80
- Length : m 3,50
- Width : m 2,00

Main Conveyor TNL 800x8,00 m

- Length m 8,00
- Belt width mm 800
- Belt speed m/s 1,4
- Capacity t/h 180
- Electric moto-reducer kW 5,5
- Height discharge m 3,00

Overband Magnet

- Conveyor Length m 1,66
- Belt width mm 650
- Magnet mm 800x600
- Power 420 Gauss at 200 mm
- Electric moto-reducer kW 1,5

Electrical control panel

- Electrical cabinet with interlocking and cabling to motors
- PLC controls
- Incoming cables to control cabinet Excluded
- Volt 400 – 50 Hz

Chassis

Heavy duty fabricated I section of welded construction

All specifications subject to change without prior notice.

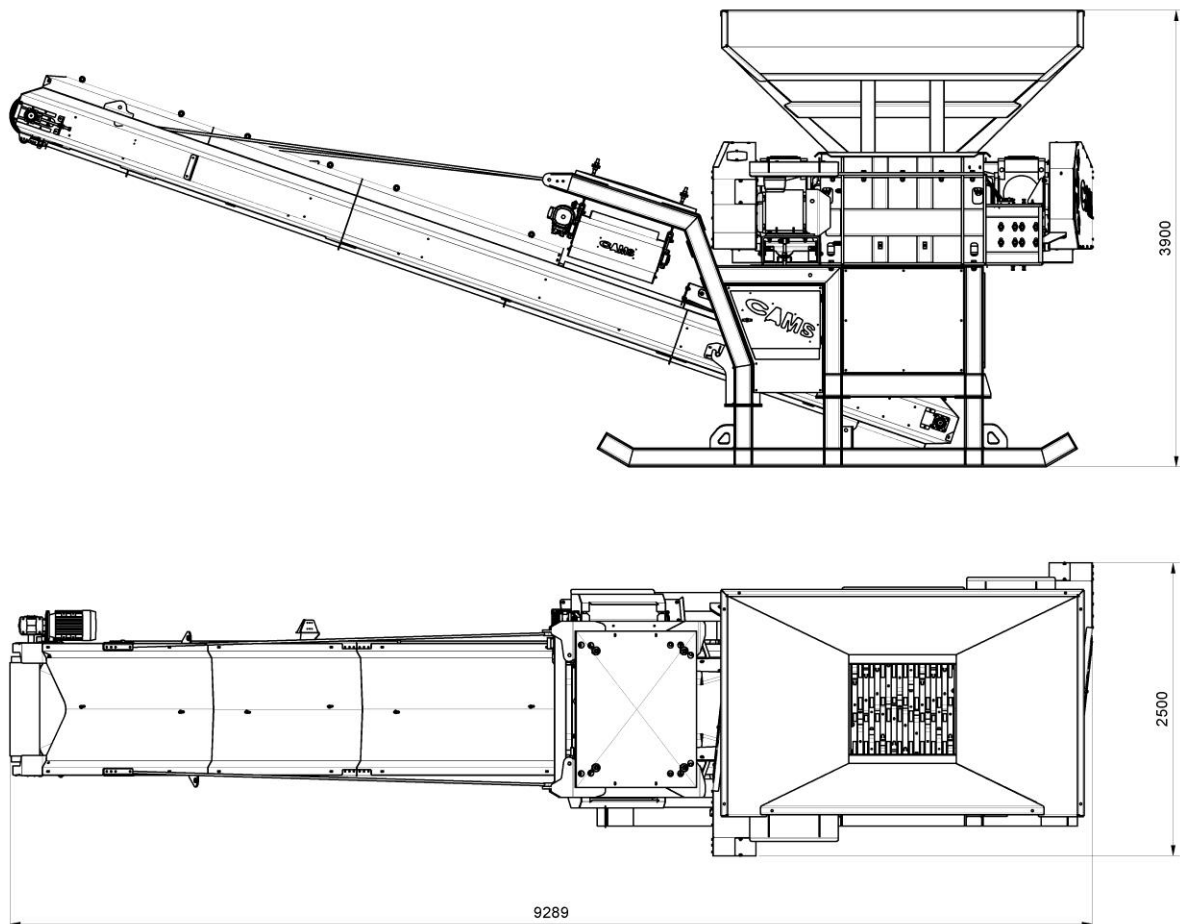


CAMS s.r.l.
VIA Giulio Golini, 301 40024- Castel San Pietro Terme (BO)- Tel. 0516946611
Cod. Fisc. e Part. IVA 02146431206- R.E.A. n° 416377- Cap. Soc. 93.000 euro Int. Vers.

Transport Dimension:

- Width m 2,50
- Height m 3,00
- Length m 9,30
- Weight Kg 15.000

Work Dimension



All specifications subject to change without prior notice.



CAMS s.r.l.
VIA Giulio Golini, 301 40024- Castel San Pietro Terme (BO)- Tel. 0516946611
Cod. Fisc. e Part. IVA 02146431206- R.E.A. n° 416377- Cap. Soc. 93.000 euro Int. Vers.