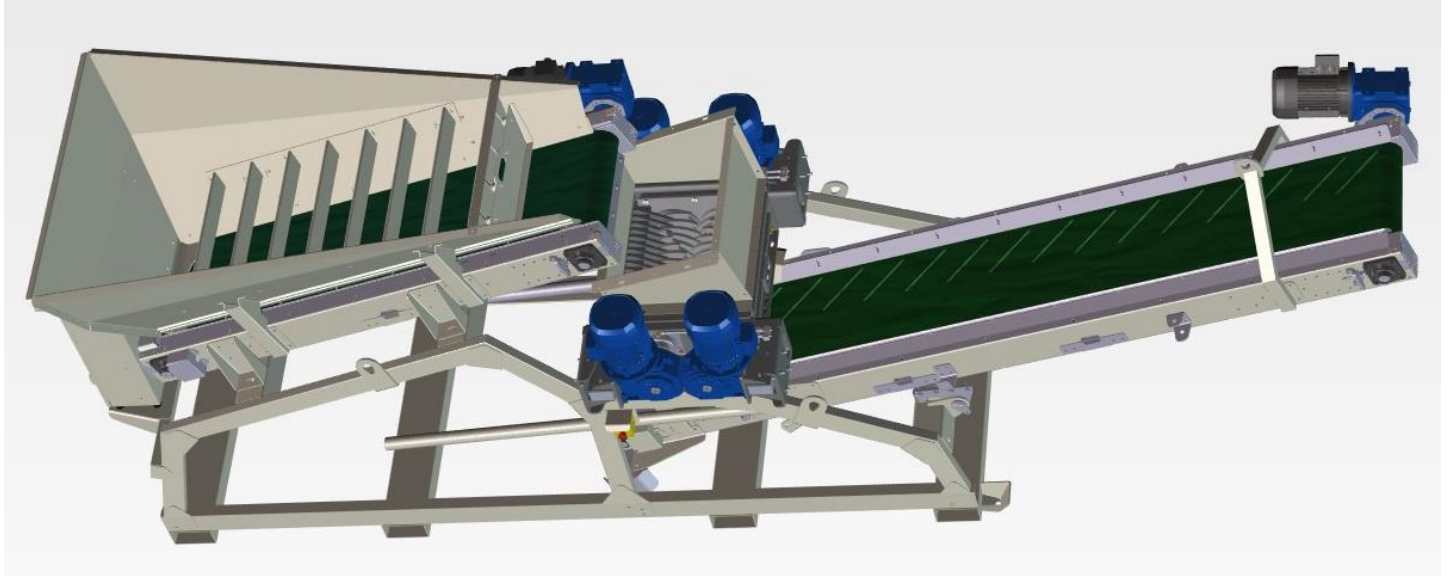


## **Technical Specification UTS 600**



### **ADVANTAGES**

**High capacity up to 30 t/h**

**Low air pollution**

**Low noise pollution**

**No vibrations**

**Low wear costs and maintenance**

**Manual setting adjustment**

**Optional rotor screens mesh**

All specifications subject to change without prior notice.



**CAMS s.r.l.**  
**VIA Giulio Golini, 301 40024- Castel San Pietro Terme (BO)- Tel. 0516946611**  
**Cod. Fisc. e Part. IVA 02146431206- R.E.A. n° 416377- Cap. Soc. 93.000 euro Int. Vers.**

## **FEATURES**

### **Shredder**

- Type of Shredder FTR 600
- Feed opening mm 600x500
- Max feed size mm 250x150x100
- Electric motor kW 16 (4x4)
- Rotors speed rpm 40
- Max Capacity t/h 30
- Weight Kg 830
- Chuteworks

### **Feeding Hopper**

- Capacity : m<sup>3</sup> 1,00
- Length : m 2,00
- Width : m 1,00
- Extensions: optional

### **Feed Conveyor TNL 550x2,10 m**

- Length m 2,10
- Belt width mm 550
- Belt speed m/s 0,5 inverter
- Capacity t/h 60
- Electric moto-reducer kW 1,5

### **Main Conveyor TNL 550x3,40 m**

- Length m 3,40
- Belt width mm 550
- Belt speed m/s 1,4
- Capacity t/h 60
- Electric moto-reducer kW 2,2
- Height discharge m 2,00

### **Electrical control panel**

- Electrical cabinet with interlocking and cabling to motors
- PLC controls
- Incoming cables to control cabinet Excluded
- Volt 400 – 50 Hz

### **Chassis**

Heavy duty fabricated I section of welded construction

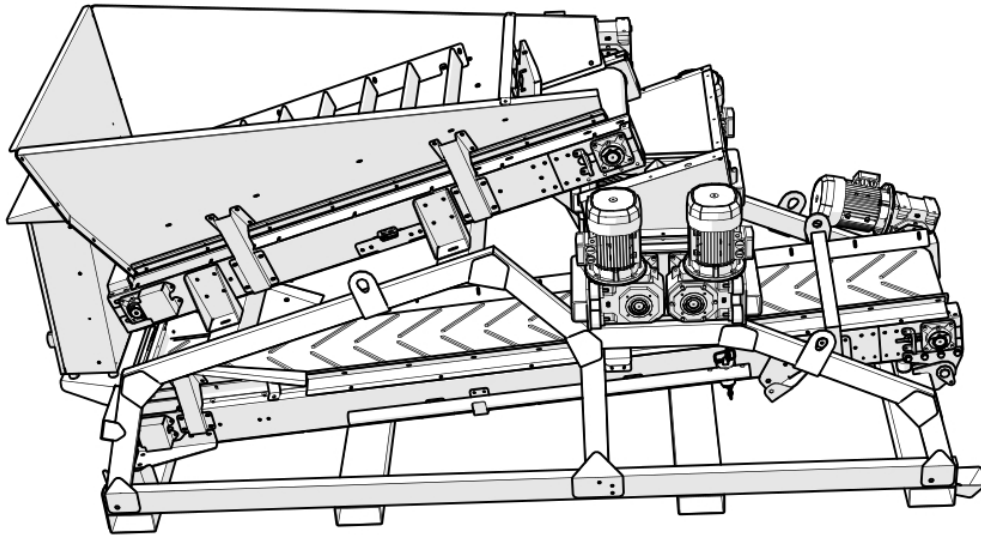
All specifications subject to change without prior notice.



**CAMS s.r.l.**  
**VIA Giulio Golini, 301 40024- Castel San Pietro Terme (BO)- Tel. 0516946611**  
**Cod. Fisc. e Part. IVA 02146431206- R.E.A. n° 416377- Cap. Soc. 93.000 euro Int. Vers.**

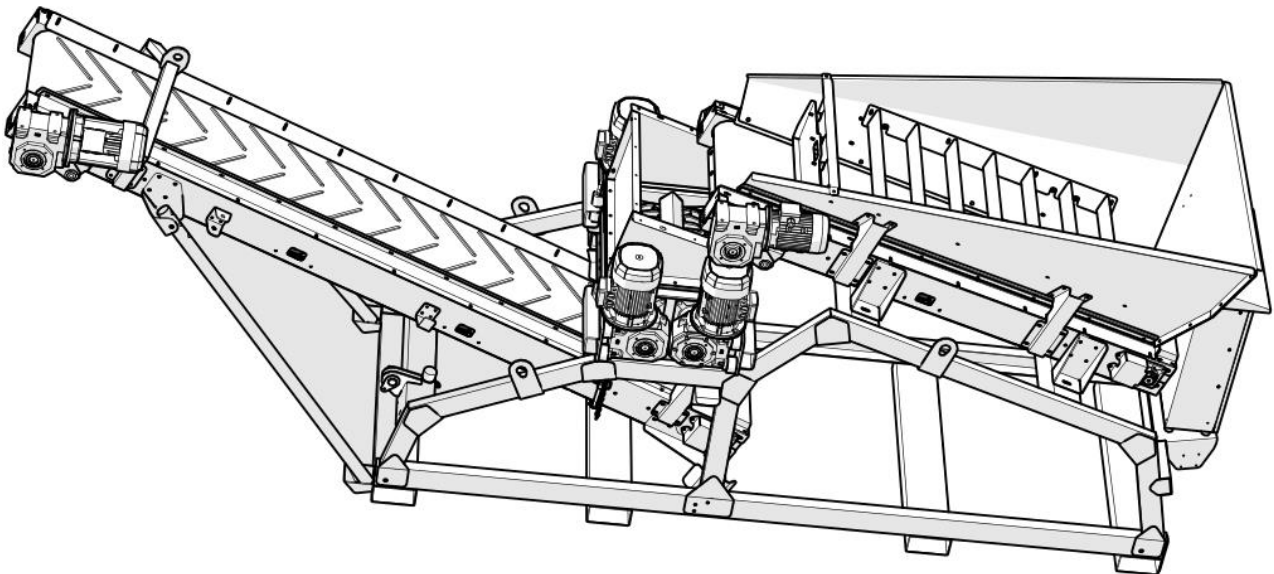
### Transport Dimension:

- Width m 1,40
- Height m 1,95
- Length m 4,08
- Weight Kg 2.500



### Work Dimension

- Width m 1,40
- Height m 1,95
- Length m 5,75



All specifications subject to change without prior notice.



**CAMS s.r.l.**  
VIA Giulio Golini, 301 40024- Castel San Pietro Terme (BO)- Tel. 0516946611  
Cod. Fisc. e Part. IVA 02146431206- R.E.A. n° 416377- Cap. Soc. 93.000 euro Int. Vers.