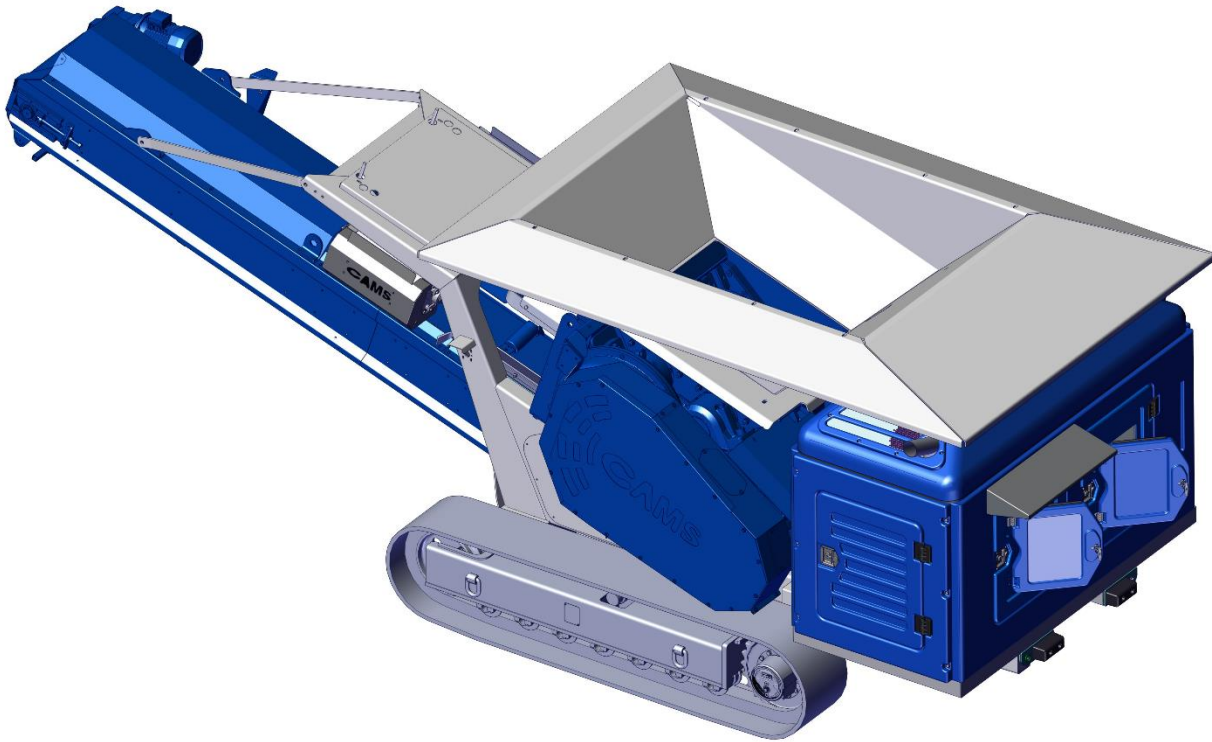


Technical Specification UTM 750



ADVANTAGES

High capacity up to 80 t/h

Low air pollution

Low noise pollution

No vibrations

Low wear costs and maintenance

Changing all the cutting tools on the shafts only takes a few hours.

Hydraulic setting adjustment



CAMS s.r.l.

**VIA Giulio Golini, 301 40024- Castel San Pietro Terme (BO)- Tel. 0516946611
Cod. Fisc. e Part. IVA 02146431206- R.E.A. n° 416377- Cap. Soc. 93.000 euro Int. Vers.**

All specifications subject to change without prior notice.

FEATURES

Shredder

- Type of Shredder FTR 750
- Feed opening mm 750x900
- Max feed size mm 400x350x300
- Electric motor kW 22 (11+11)
- Rotors speed rpm 10
- Max Capacity t/h 80
- Weight Kg 5.500
- V belts and pulleys
- Chuteworks

Feeding Hopper

- Capacity : m³ 1,50
- Length : m 2,30
- Width : m 1,70

Main Conveyor TNL 600x5,00 m

- Length m 5,00
- Belt width mm 600
- Belt speed m/s 1,4
- Capacity t/h 120
- Electric moto-reducer kW 4
- Height discharge m 2,00

Overband Magnet

- Conveyor Length mm 1300
- Belt width mm 500
- Magnet mm 720x460
- Power 250 Gauss at 200 mm
- Electric moto-reducer kW 1,1

Track data

- Track Length mm 2500
- Track width mm 400
- Hydraulic Motor Rexroth
- Gearbox Trasmital
- Speed Km/h 0,7÷1,4
- Control: Remote handset – Dual Speed



CAMS s.r.l.

VIA Giulio Golini, 301 40024- Castel San Pietro Terme (BO)- Tel. 0516946611
Cod. Fisc. e Part. IVA 02146431206- R.E.A. n° 416377- Cap. Soc. 93.000 euro Int. Vers.

All specifications subject to change without prior notice.

Genset

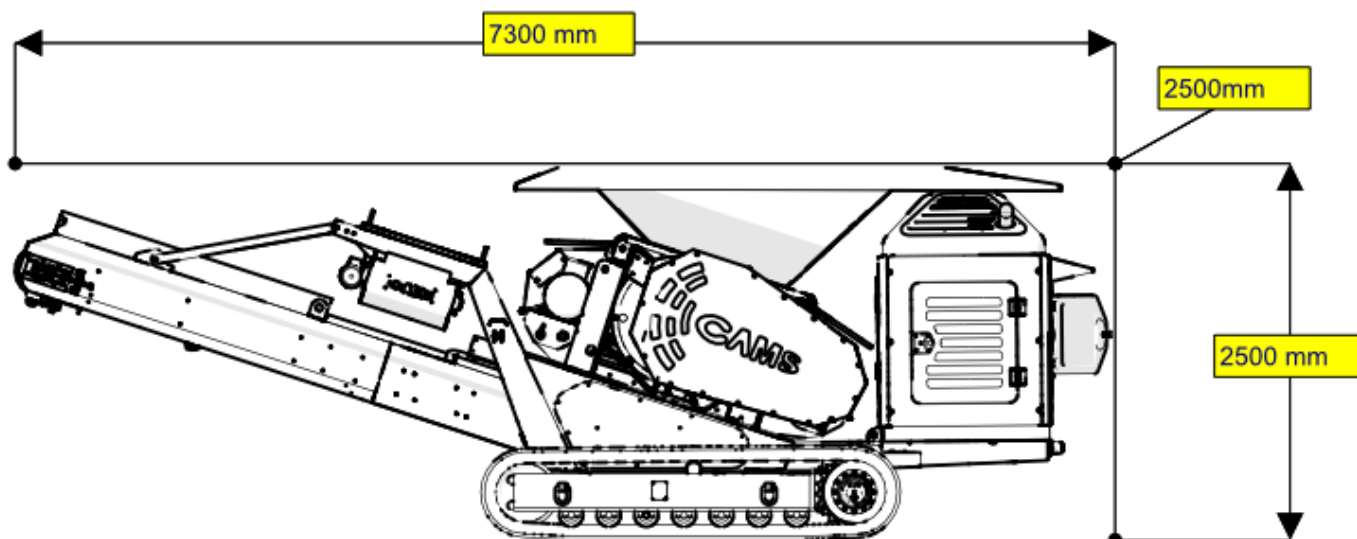
- Diesel Engine: IVECO FPT N45 80 kW at 1500 rpm
- Alternator: LINZ 80 kVA
- Hydraulic Tank: lt. 90
- Fuel Tank: lt. 170

Chassis

Heavy duty fabricated I section of welded construction

Transport Dimension:

- Width m 2,50
- Height m 2,50
- Length m 7,30
- Weight Kg 11.500



All specifications subject to change without prior notice.



CAMS s.r.l.
VIA Giulio Golini, 301 40024- Castel San Pietro Terme (BO)- Tel. 0516946611
Cod. Fisc. e Part. IVA 02146431206- R.E.A. n° 416377- Cap. Soc. 93.000 euro Int. Vers.



CAMS s.r.l.

**VIA Giulio Golini, 301 40024- Castel San Pietro Terme (BO)- Tel. 0516946611
Cod. Fisc. e Part. IVA 02146431206- R.E.A. n° 416377- Cap. Soc. 93.000 euro Int. Vers.**